

K A L I N A S E N O V

[www.kalinasenov.com](http://www.kalinasenov.com)

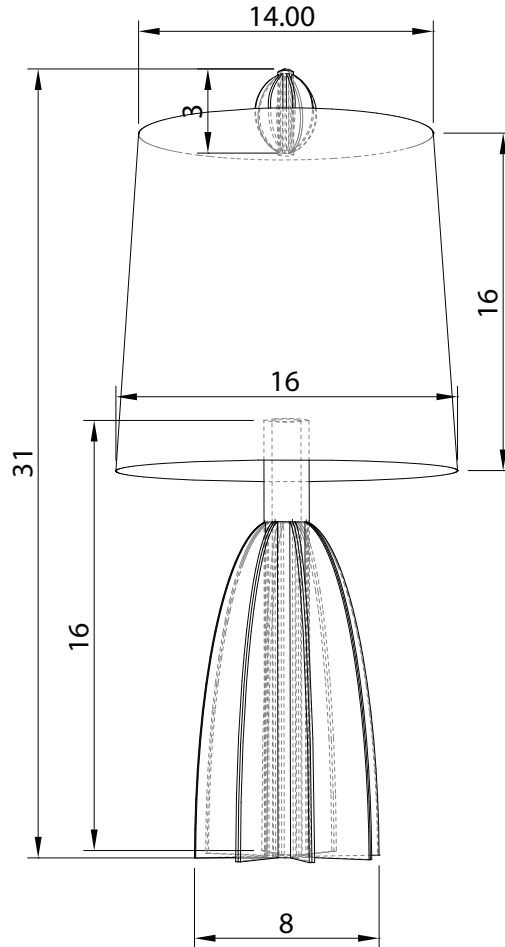
[info@kalinasenov.com](mailto:info@kalinasenov.com)

t. +1 912 503 5005

F L U T E \_ N A R R O W



## F L U T E \_ N A R R O W



Dimensions: L: 16" | H: 31" | W: 16"

Handbuilt Ceramic Lamp

Fabric Covered Power Cord

Full Range Dimmer

Bulbs: 1 x A19 LED Bulbs, 2700K, Included with each lamp

Please check [www.kalinasenov.com](http://www.kalinasenov.com) for other finish options

